



EQUIPMENT FOR WATER TREATMENT SYSTEMS

# CTI-250

## Conductivity probe (Inductive)

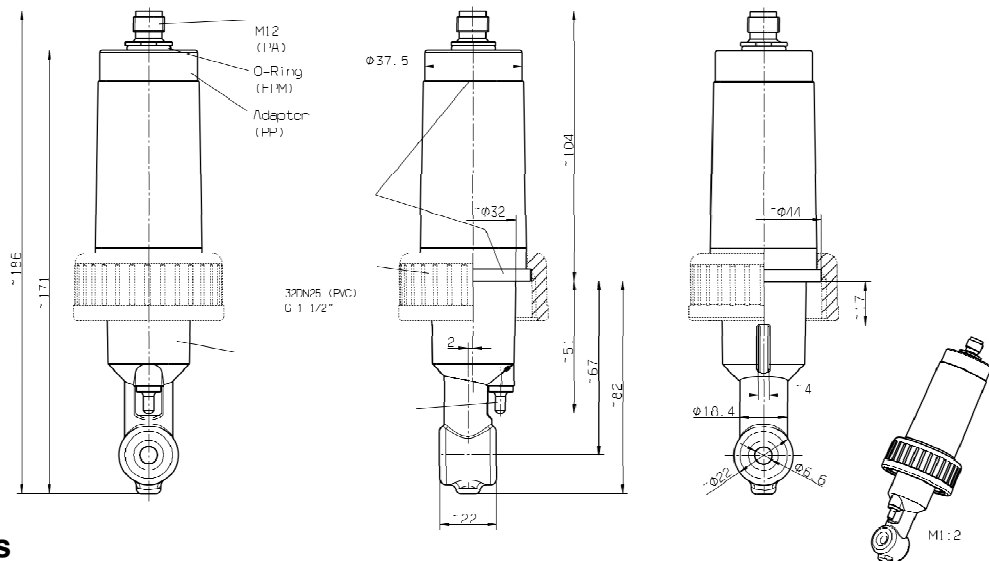


### ■ Description

The conductivity probe CTI-250 is an inductive measuring cell with an output of 0-10V suitable for a measuring range of 0 – 5000  $\mu\text{S/cm}$ .  
The conductivity probe can be connected to the control type CTI8000.

### ■ Technical data

Measuring principle : Inductive  
 Cell constant :  $6,25 \text{ cm}^{-1}$   
 Measuring range : 0 – 5000  $\mu\text{S/cm}$   
 Temperature resistance PVC : 0 – 40 °C  
 Nominal pressure : 6 bar  
 Material : PP  
 Protection class : IP65  
 Connector : M12 (4 pol.)  
 Dimension



### ■ Connections

- 1 : 24V
- 2 : Signal (0-10V)
- 3 : 0V
- 4 : not used

