



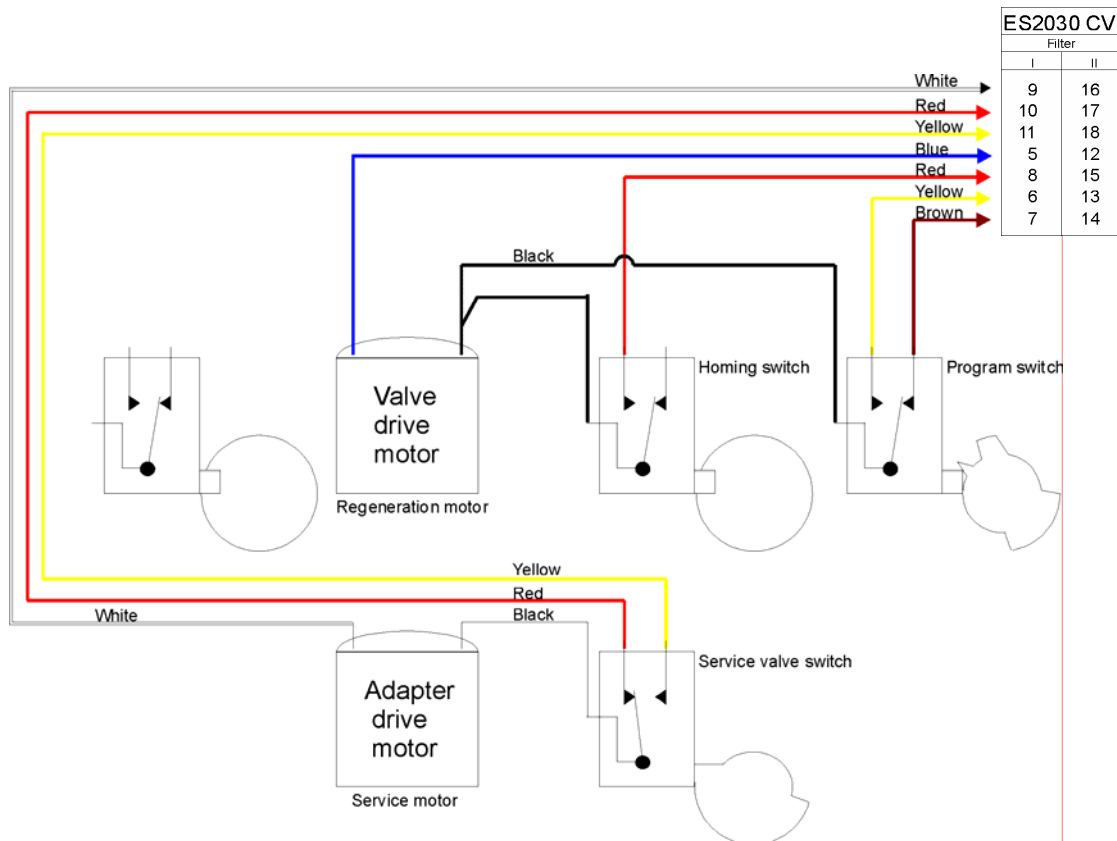
EQUIPMENT FOR WATER TREATMENT SYSTEMS

ES2030 CV

Wiring to Fleck valves

■ Wiring Diagram

Below you will find a standard wiring diagram for all type of Fleck valves to the control type ES2030 CV.



■ Programming

Here you will find which program steps are important for connecting Fleck valves to the control type ES2030CV.

Electrical control

Step 1 : Program step 1.1 at "Yes"

■ General remarks

- For duplex installations, use No-By-Pass-Piston
- For some types the colour of a wire can differ from the standard.

■ Special remarks

Type 2750, 2850 and 3150

These type of valves do not have a service motor, so the corresponding terminals are not connected.

Type 9000

This type of valve does not have a service motor and should only be connected to terminals 5, 6, 7 and 8.