



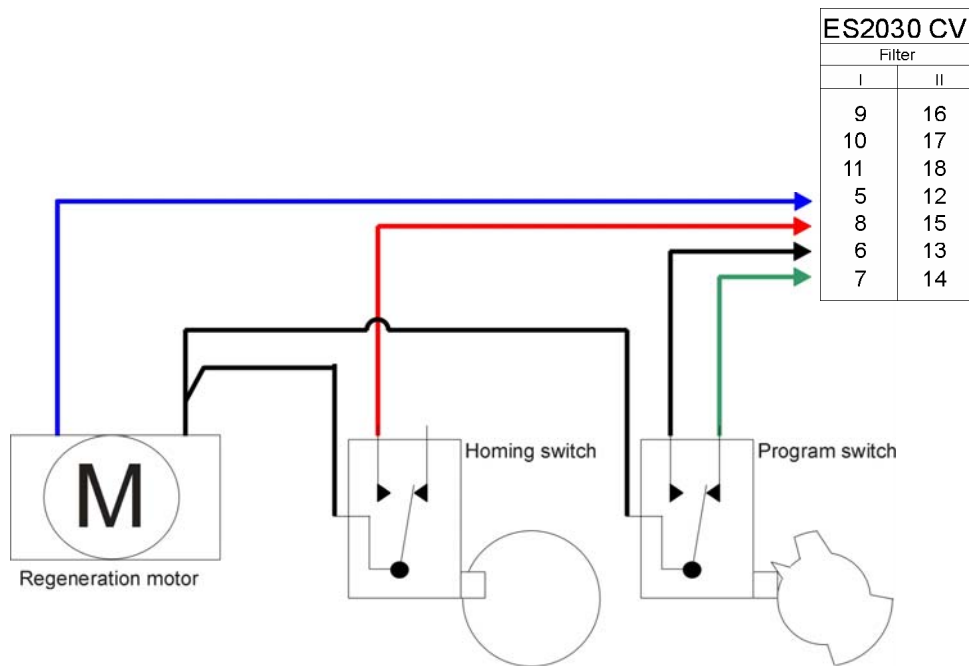
EQUIPMENT FOR WATER TREATMENT SYSTEMS

ES2030 CV

Wiring to Gawa valves

■ Wiring Diagram

Below you will find a standard wiring diagram for all type of GAWA valves to the control type ES2030 CV.



■ Programming

Here you will find which program steps are important for connecting GAWA valves to the control type ES2030 CV.

Electrical control

Step 1 : Program step 1.1 at "Yes"

Number of stages

Step 2 : Program step 2.1 at 4 (3 regeneration stages and 1 service stage).