



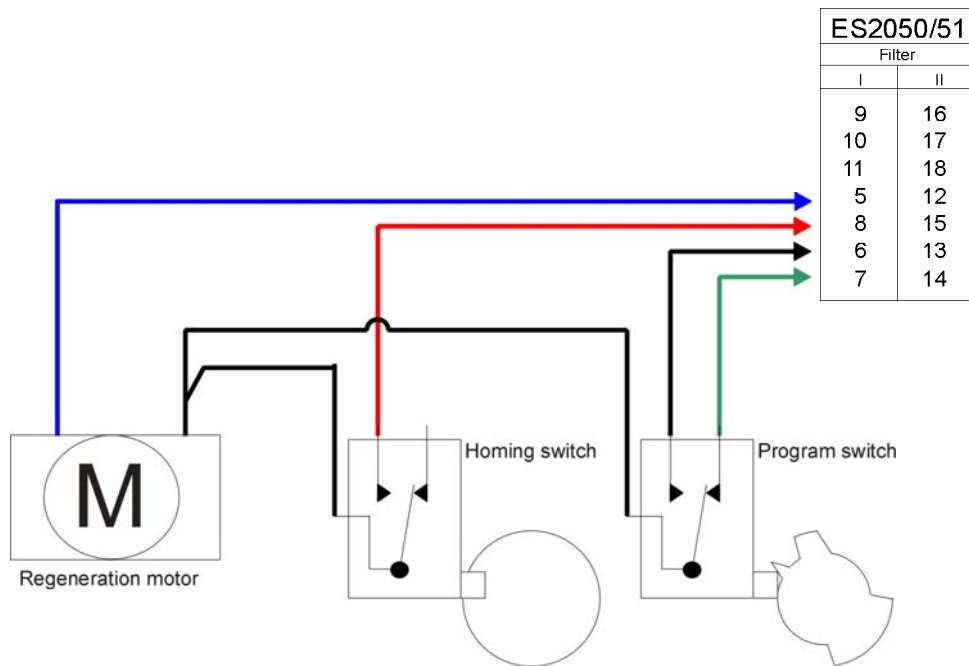
EQUIPMENT FOR WATER TREATMENT SYSTEMS

ES2050

Wiring to Gawa valves

■ Wiring Diagram

Below you will find a standard wiring diagram for all type of GAWA valves to the control type ES2050.



■ Programming

Here you will find which program steps are important for connecting GAWA valves to the control type ES2050.

Number of stages

Step 11 : Program step 11.0 at 4 (3 regeneration stages and 1 service stage).

Electrical control

Step 12 : Program step 12.1 at "Yes".