



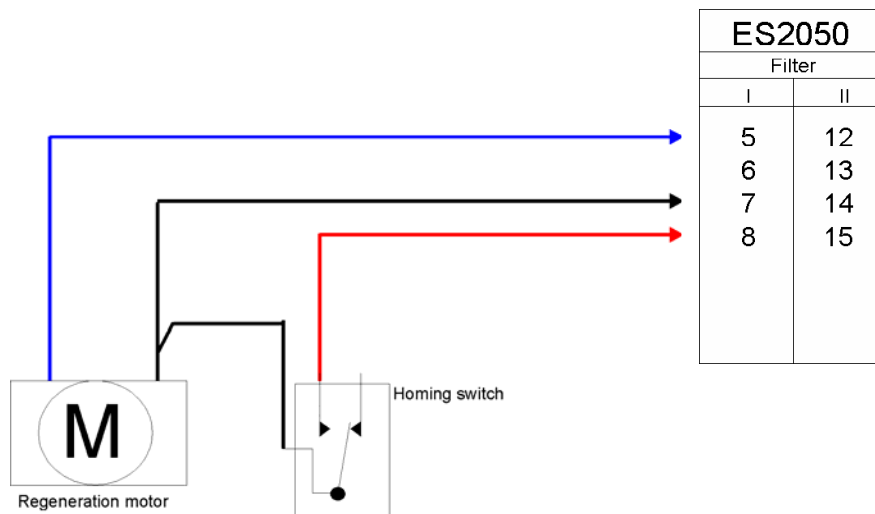
EQUIPMENT FOR WATER TREATMENT SYSTEMS

# ES2050

## Wiring to standard Siata valve

### ■ Wiring Diagram

Below you will find a standard wiring diagram for connecting a standard Siata valve to the control type ES2050.



### ■ Programming

Here you will find which program steps are important for connecting Siata valves to the control type ES2030CV.

Number of stages

Step 11 : Program step 11.0 at 4 (3 regeneration stages and 1 service stage).

Electrical control

Step 12 : Program step 12.1 at "No" then you will go to step 12.2. This step should be programmed at "Yes".

Pulses

Step 13 : Program step 13.0 :

- Pulse Period 1 (to regeneration stage 1) = 24 sec. or 48 sec. (depending on type of Siata valve)
- Pulse Period 2 (to regeneration stage 2) = 24 sec. or 48 sec. (depending on type of Siata valve)
- Pulse Period 3 (to regeneration stage 3) = 24 sec. or 48 sec. (depending on type of Siata valve)
- Pulse Period 4 (to service position) = 5 sec (no longer period necessary because of the home switch will bring the stager into service position).