



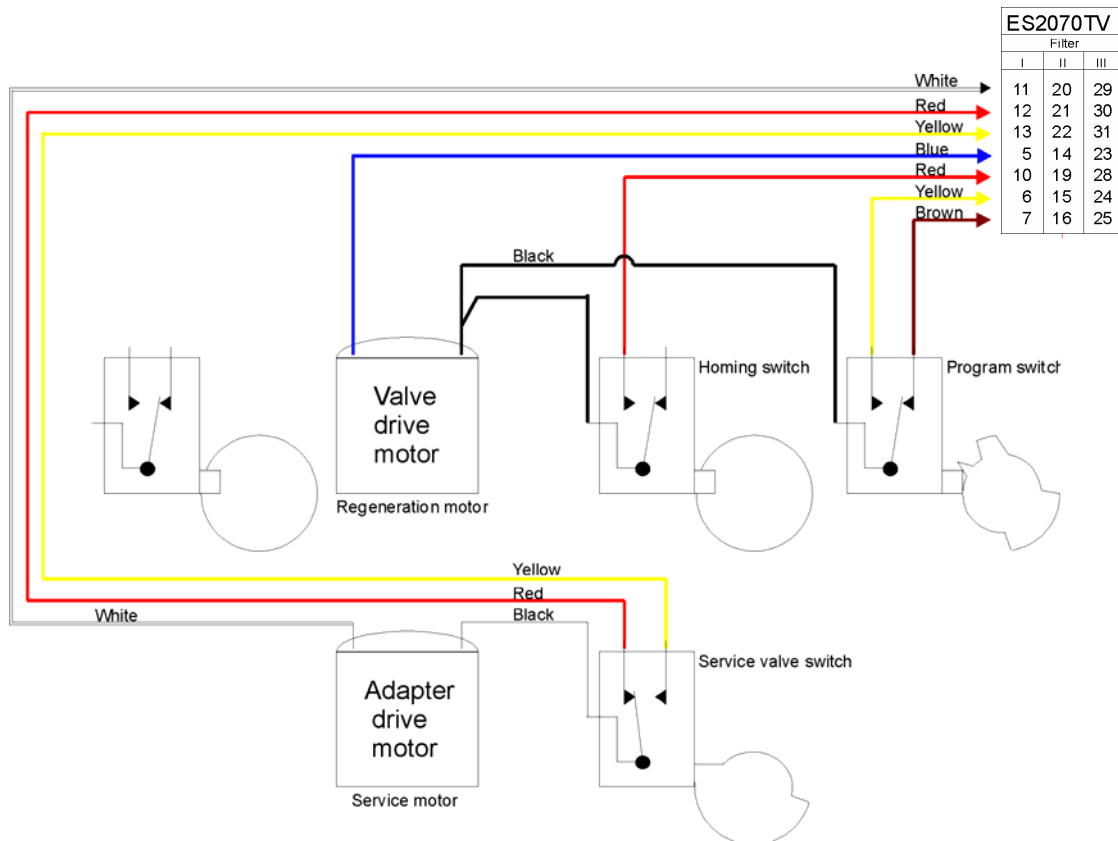
EQUIPMENT FOR WATER TREATMENT SYSTEMS

# ES2070 TV

## Wiring to Fleck valves

### ■ Wiring Diagram

Below you will find a standard wiring diagram for all type of Fleck valves to the control type ES2070 TV.



### ■ Programming

Here you will find which program steps are important for connecting Fleck valves to the control type ES2070 TV.

Electrical control

Step 10 : Program step 10.1 at "Alt"

### ■ General remarks

- For duplex installations, use No-By-Pass-Piston
- For some types the colour of a wire can differ from the standard.

### ■ Special remarks

Type 2750, 2850 and 3150

These type of valves do not have a service motor, so the corresponding terminals are not connected.