



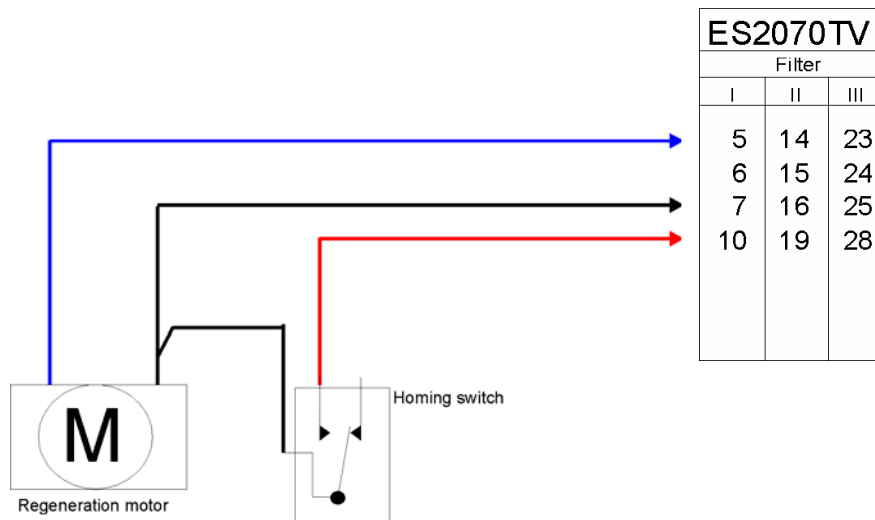
EQUIPMENT FOR WATER TREATMENT SYSTEMS

# ES2070 TV

## Wiring to standard Siata valve

### ■ Wiring Diagram

Below you will find a standard wiring diagram for connecting a standard Siata valve to the control type ES2070 TV.



### ■ Programming

Here you will find which program steps are important for connecting Siata valves to the control type ES2030CV.

Electrical control

Step 10 : Program step 10.1 at "Imp".

Number of stages

Step 11 : Program step 11.1 at 4 (3 regeneration stages and 1 service stage).

Pulses

Step 12 : Program step 12.1 :

- Pulse Period 1 (to regeneration stage 1) = 24 sec. or 48 sec. (depending on type of Siata valve)
- Pulse Period 2 (to regeneration stage 2) = 24 sec. or 48 sec. (depending on type of Siata valve)
- Pulse Period 3 (to regeneration stage 3) = 24 sec. or 48 sec. (depending on type of Siata valve)
- Pulse Period 4 (to service position) = 5 sec (no longer period necessary because of the home switch will bring the stager into service position).