
UF2050

UF2051

Control for ultra filtration installations



Instruction manual

Software version 1.07

Contents

1. General description	1
1.1. General	1
1.2. List of abbreviations used	1
1.3. Overview of phases	2
1.4. Phase "Standby"	3
1.5. Phase "Filtration"	3
1.6. Phase "Pre Flush"	4
1.7. Phase "Air scour"	4
1.8. Phase "Drain"	4
1.9. Phase "Back wash 1"	4
1.10. Phase "Back wash 2"	4
1.11. Phase "Soak"	5
1.12. Phase "Drain 2"	5
1.13. Phase "Alarm"	5
2. Picture front side	6
3. Function display	7
3.1. LED Display	7
3.2. LED displays	7
3.3. LCD display	7
3.3.1. Display during "Filtration"	7
3.3.2. Display during "Standby"	8
3.3.3. Display during "Alarm"	8
4. Input functions	9
4.1. High level clean water tank	9
4.2. Low level clean water tank	9
4.3. Low level raw water tank	9
4.4. Differential pressure	9
4.5. Overpressure	10
5. Output functions	10
5.1. General output	10
5.2. Alarm	10
6. General control	11
6.1. Main screen	11
6.2. Menus	11
7. Manual mode of the installation	12
7.1. Manually start backwash	12
7.2. Manually start backwash 2	12
7.3. Manually start "Enhanced backwash 1" without reset	12
7.4. Manually start "Enhanced backwash 1" with reset	12
7.5. Manually start "Enhanced backwash 2" without reset	12
7.6. Manually start "Enhanced backwash 2" with reset	13
7.7. Manually start "Enhanced backwash 3" without reset	13
7.8. Manually start "Enhanced backwash 3" with reset	13
7.9. Reset alarm	13
8. Information request	14
8.1. Status inputs	14
8.2. Status outputs	14
8.3. Service number	14
8.4. Software version	14
8.5. Enhanced back wash interval	15

8.6	Enhanced back wash interval 2	15
8.7	Enhanced back wash interval 3	15
9	Change set language	15
10	Programming	16
10.1	Entering program mode	16
10.2	Output functions	16
10.2.1	Alarm output.....	16
10.3	Input functions.....	17
10.4	Power up settings.....	18
10.5	Proces steps	18
10.6	Proces steps	19
10.7	Standard Backwash step	21
10.8	Standard Backwash step 2	22
10.9	Enhanced Backwash.....	24
10.10	Enhanced Backwash 1 steps.....	26
10.11	Enhanced Backwash 2 steps.....	27
10.12	Enhanced Backwash 3 steps.....	29
11	Possible error messages.....	31
11.1	Power failure	31
12	Wiring diagram UF2050	32
13	Installation and commissioning requirements.....	33
13.1	General.....	33
13.2	Assembly.....	33
14	Technical details	34
15	Declaration of conformity.....	35
	APPLICABLE LAW AND DISPUTES.....	37



1. General description

1.1. General

The UF2050 is used for the automatic control and monitoring of ultra filtration installations.

The flexible, programmable software makes this control suitable for a large number of different applications in the field of water treatment.

Overview of functionality

- Menu-driven operating and programming of the control by means of keys and a 2-line display.
- Choice of language. (i.e. Dutch, English, German, French).
- Universally applicable to ultra filtration installations.
- Flexibly programmable for specific user requirements.
- Free programmable service phone number.
- Inputs:
 - low level clean water tank / high level clean water tank ,
 - low level raw water tank and exceeded pressure
- Outputs:
 - programmable for individual valves and/or pumps and alarm
- Voltage drop-out protection program information, program information is saved without battery
- Produced according to EMC directives
- Housing suitable for wall mounting
- Available in 24/24V, 115/115V, 230/230V, 115/24V, 230/24V, 240/24V

1.2. List of abbreviations used

Herewith a list of frequently used abbreviations

STB	Stand by	HL	High level switch clean water tank
PFL	Pre Flush	LL	Low level switch clean water tank
FIL	Filtration	RW	Low level switch raw water tank
FI2	Filtration 2	OP	Over pressure switch
AIR	Air scour		
DRA	Drain	AL	Alarm output
BW1	Back wash 1	OUT	General output
BW2	Back wash 2		
Soak	Soak		
FFL	Drain 2		



In the mode ("Sep" = separate) the two (or three) enhanced backwash cycles will be initiated separately but always with a filtration in between.

In this case each cycle has its own interval time or interval number of standard backwashes.

Fil	BW	Fil	BW	Fil	CEB1	Fil	BW	Fil	BW	Fil	CEB1	Fil	CEB2
-----	----	-----	----	-----	------	-----	----	-----	----	-----	------	-----	------

In the mode ("Sep2" = separate) the two (or three) enhanced backwash cycles will be initiated separately and immediately after the last standard backwash. If enhanced backwash events are occurring at the same time, the enhanced backwashes will be initiated one after the other.

In this case each cycle has its own interval time or interval number of standard backwashes.

Fil	BW	Fil	BW	CEB1	Fil	BW	Fil	BW	CEB1	CEB2
-----	----	-----	----	------	-----	----	-----	----	------	------

"Top / Bottom" mode :

F1	BW1	F2	BW2	F1	BW1	F2	BW2	CEB1	F1	BW1	F2	BW2	F1	BW1	F2	BW2	CEB1	CEB2
----	-----	----	-----	----	-----	----	-----	------	----	-----	----	-----	----	-----	----	-----	------	------

If a step has to be skipped you have to program a duration of 0 sec for that step.

Attention !

If a low level in the clean water tank is detected, all output as programmed in step 2.3 are switch off. So when this input (RC) is activated the state of the outputs could differ from the state as programmed for the actual phase.

Attention !

In case the "top/bottom" mode is programmed (step 5.1) the enhanced backwashes will always be in mode "Sep2".

1.4 Phase "Standby"

During standby the low level (RW tank) and high level (CW tank) will be checked. When both are not activated the installation will switch to "Pre flush" (if activated) and then to "Filtration".

All outputs free programmable.

The following values are monitored:

- Low level, raw water tank
- High level, clean water tank

It is also possible to start the phase "Back wash" or one of the enhanced back washes, manually.

The enhanced backwashes should be activated (see § 10.9 "Enhanced Backwash" on page 24).

For more information about the manual control see § 7 "Manual mode of the installation" on page 12.

1.5 Phase "Filtration"

During filtration the low level (RW tank) and high level (CW tank) will be checked. When one or both are activated the installation will switch to standby.

After a programmed interval time the installation will switch to a back wash cycle.

All outputs free programmable.

The following values are monitored:

- Overpressure
- Low level, raw water tank
- High level, clean water tank

In step 5.1, you can program if the system needs a "top/bottom" mode for filtration and standard backwash.

In that case a complete filtration cycle will consists of :

Filtration 1 – Backwash 1 (step 6) – Filtration 2 – Backwash 2 (step 7)

In this case the enhanced backwashes will start immediately after "Backwash 2".



1.6 Phase “Pre Flush”

The step “Pre flush” will be activated after switching power on (when program step 3.1 is programmed for ‘PFL’) or when the installation will go to the “Filtration” step after “Standby”.

After a programmed time the installation will go into “Filtration”.


All outputs free programmable.

The following values are monitored:

- Overpressure
- Low level, raw water tank
- High level, clean water tank

1.7 Phase “Air scour”

The installation will switch to “Air scour” after the “Filtration” time has passed.

You can also start “Air scour” manually by pressing the  key during “Standby” or “Filtration”.

After a programmed time the installation will switch to “Drain”.

All outputs free programmable.

The following values are monitored:

- Overpressure

1.8 Phase “Drain”

The installation will switch to “Drain” after the “Air Scour” time has passed.

You can also start “Drain” manually by pressing the  key during “Standby” or “Filtration”.

After a programmed time the installation will switch to “Backwash 1”.

All outputs free programmable.

The following values are monitored:

- Overpressure

1.9 Phase “Back wash 1”

The installation will switch to “Backwash 1” after the “Air scour” and/or “Drain” time has passed.

After a programmed time the installation will switch to “Backwash 2”, “Soak” (during enhanced backwash step), “Forward Flush” or “Filtration”.

All outputs free programmable.

The following values are monitored:

- Overpressure

1.10 Phase “Back wash 2”

The installation will switch to “Backwash 2” after the “Air scour”, “Drain” and/or “Backwash1” time has passed. After a programmed time the installation will switch to “Soak” (during enhanced backwash step), “Forward Flush” or “Filtration”.

All outputs free programmable.

The following values are monitored:

- Overpressure



1.11 Phase “Soak”

This step has to be activated in the steps for the enhanced backwash steps. The installation will switch from Backwash to “Soak” after the “Back wash” time has passed. During this step the membrane can soak in the injected chemicals.

All outputs free programmable.

The following values are monitored:

- Overpressure

1.12 Phase “Drain 2”

This step has to be activated in the steps for the (enhanced) backwash steps. The installation will switch to “Drain 2” after the “Back wash” or “Soak” time has passed. After a programmed time the installation will switch to “Filtration” or “Standby” (depending on the state of the level switches).

All outputs free programmable.

The following values are monitored:

- Overpressure

1.13 Phase “Alarm”

The installation will switch to “Alarm” when there is a overpressure, a differential pressure situation or when program step 3.1 is programmed at “AL”.

Overpressure :

During alarm the over pressure switch and the key will be checked.

When pressing the key and the pressure is ok, the installation will proceed the process step that was interrupted. The interval time for the flush and back wash steps will also proceed and not be reset.

All outputs will be deactivated.

The following values are monitored:

- Overpressure

Differential pressure :

During alarm the key will be checked.

When pressing the key, the installation will proceed with filtration or with standby depending on the state of the level switches.

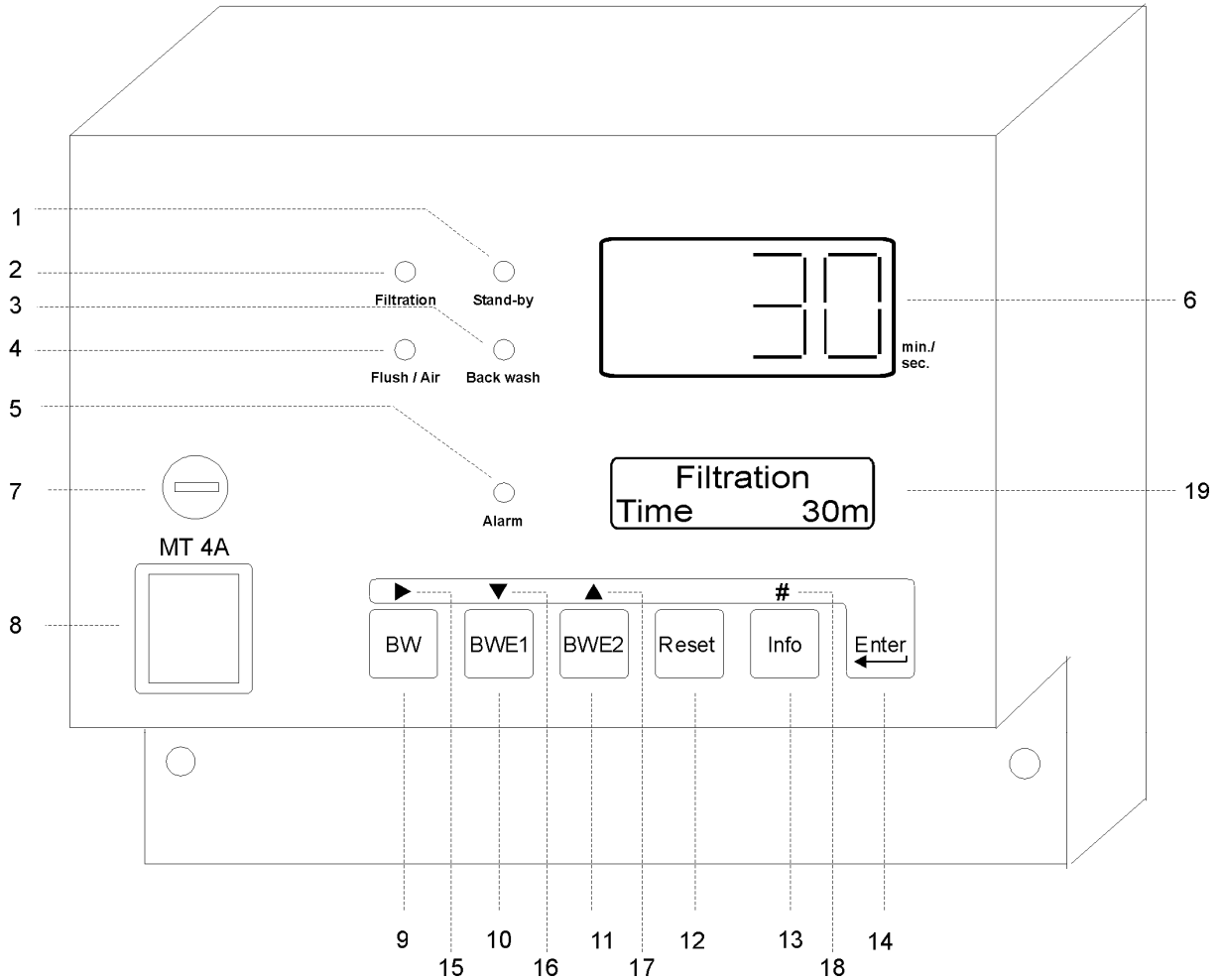
All outputs will be deactivated.

The following values are monitored:

- Differential pressure

2 Picture front side

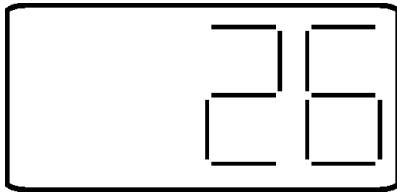
Wall mounting



- | | | | |
|-----------------------------|----------------------------|-----------------------|-----------------|
| 1. LED "Standby" | 7. Fuse for output power | 13. Info | 19. LCD display |
| 2. LED "Filtration" | 8. Main switch | 14. Programming | |
| 3. LED "Backwash", "CEBx" | 9. Start Back wash | 15. Move cursor | |
| 4. LED "Flush", "Air Scour" | 10. Start Enhanced Backw 1 | 16. Next program step | |
| 5. LED alarm | 11. Start Enhanced Backw 2 | 17. Last program step | |
| 6. LED display | 12. Reset | 18. Digital input | |

3 Function display

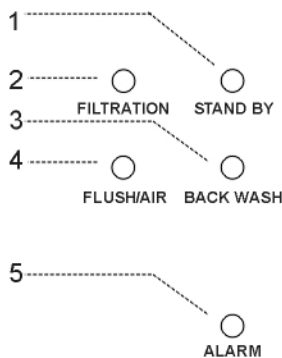
3.1 LED Display



In the LED display the remaining time for the current process phase will be displayed.

When the message “----” appears in the display, it means that there is no timer activated. This will be the case in the phases “Stand-by” or “Alarm”.

3.2 LED displays

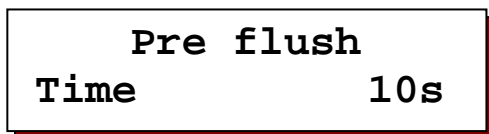


- 1 = LED for phase “Stand by”
- 2 = LED for phase “Filtration”
- 3 = LED for phase “Back wash”
(continuous) = normal back wash
(blinking) = “CEB 1”, “CEB 2” or “CEB 3”
- 4 = LED for Flush phases / Air scour
(continuous) = “Pre Flush” / “Drain” or “Drain 2”
(blinking) = “Air scour”
- 5 = Alarm

During “Soak” no led will be activated.

3.3 LCD display

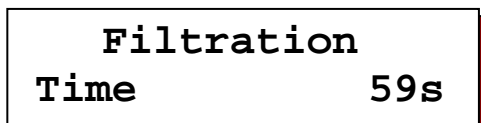
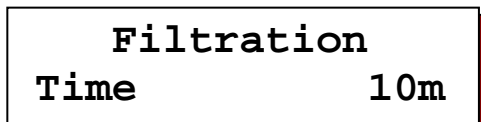
In the first line of the LCD display the actual status of the installation is always displayed. In the second line of the LCD display various messages may appear depending on the status of the installation. Normally this will be the remaining time of the current process phase.



Example for phase “Pre Flush”

The information in the second line for the phases “Filtration”, “Standby” and “Alarm” will differ and will be explained in the next chapters.

3.3.1 Display during “Filtration”



The second line indicates the remaining time for the phase “Filtration” will start. When the start is within 60 seconds the remaining time will be displayed in seconds.



3.3.2 Display during “Standby”

Standby
RW empty/CW low

Raw water tank empty and clean water tank not full.

Standby
RW high /CW full

Raw water tank not empty and clean water tank full.

Standby
RW empty/CW full

Raw water tank empty and clean water tank full.

3.3.3 Display during “Alarm”

The second line indicates the cause of the alarm situation.

Alarm
Overpressure

“Overpressure” : Overpressure situation during flushing or backwash.

Alarm
Supply failure

“Supply failure” : Controller switched on and step 1.1 programmed at “AL”.

Alarm
Differ. pressure

“Differ. pressure” : Differential pressure situation after backwash.



4 Input functions

4.1 High level clean water tank

The input function 'High level clean water tank' (WM) is used for checking the level of water in the clean water tank. The controller will respond immediately when the contact is opened and will switch into the step "Standby".

In step 2.4 you can program the delay for the installation to switch back the step "Filtration" (through the step "Pre flush", if programmed in step 4.2).

The controller is detecting high level when the contact is open.

See also § 10.3 "Input functions" on page 17.

4.2 Low level clean water tank

The input function 'Low level clean water tank' (RC) is used for checking the level of water in the clean water tank. The controller will respond immediately when the contact is opened and will switch off all outputs as programmed in step 2.3.

The controller is detecting low level when the contact is open.

See also § 10.3 "Input functions" on page 17.

4.3 Low level raw water tank

The input function 'Low level raw water tank' is used for checking the level of water in the raw water tank. The controller will respond immediately when the contact is opened and will switch into the step "Standby".

In step 2.1 you have to program the 3rd input (WA) for this function (RW).

In step 2.5 you can program the delay for the installation to switch back the step "Filtration" (through the step "Pre flush", if programmed in step 4.2).

The controller is detecting low level when the contact is open.


See also § 10.3 "Input functions" on page 17.

4.4 Differential pressure

The 'Differential pressure' function is used to start a backwash when the input is activated. If the input is still activated at the end of the backwash cycle the installation will switch into alarm state.

In step 2.1 you have to program the 3rd input (WA) for this function (DP).

In step 2.6 you can program the delay before the system is switched to "Alarm".

You can leave the "Alarm" step by pressing the  key.


The input function is active when the contact is open.

See also § 10.3 "Input functions" on page 17.



4.5 Overpressure

The 'Over pressure' (RS) input is used to prevent the installation from too high pressures.

In step 2.7 you can program the delay before the system is switched to "Alarm". You can leave the "Alarm" step by pressing the  key when the over pressure situation is solved.

The input function is active when the contact is open.

See also § 10.3 "Input functions" on page 17.

4.6 Filtration Start

The input function 'Filtration Start' (FS) is used for checking if the installation should be switched into Filtration or Standby. The controller will respond immediately when the contact is opened and will switch into the step "Standby".

In step 2.8 you can program the delay for the installation to switch back the step "Filtration" (through the step "Pre flush", if programmed in step 4.2).

When activating this function (Step 2.1 at FS and Step 5.6 at FS) you can use the level switch in the clean water tank for e.g. switching permeate valves between refill a clean water tank and supplying water to the end user. (Step 5.3 / 5.7 for "Filtration" and Step 5.4 / 5.8 for "Filtration 2").

The controller is detecting high level when the contact is open.

See also § 10.3 "Input functions" on page 17.

5 Output functions

In this chapter the various output functions are described, such as:

- General output
- Alarm

5.1 General output


The outputs A – J are general outputs. The state of these outputs can be programmed for each phase.

Attention !

The outputs B and E are, very shortly, powered during powering up. You have to take care that this will not damage components or affect the installation.

5.2 Alarm

In case the alarm output function is activated (see § 10.2 "Output functions" on page 16) for several situations it can be programmed whether the alarm relay should be activated.

The deactivation of the alarm relay takes place by pressing the "RESET" key . After the cause of the alarm has been remedied, this key can be pressed again to remove the message from the LCD screen.



6 General control

The control and programming of this control is executed by means of the 6 keys.

Below you will find an explanation of the general screen lay out, the meaning of various keys and an explanation of general control during the programming.

6.1 Main screen

In the main screen the various keys have a certain meaning, as follows:

	= Manual start of backwash
	= Manual start of backwash 2 ("Top/Bottom" Mode)
	= Manual start of enhanced backwash 1 (without reset of interval counter(s)) In combination with to reset interval counter for number of backwashes
	= Manual start of enhanced backwash 2 (without reset of interval counter(s)) In combination with to reset interval counter for number of backwashes
	= Manual start of enhanced backwash 3 (without reset of interval counter(s)) In combination with to reset interval counter for number of backwashes
	= Reset alarm
	= Require information
	= In combination with access to programming In combination with access to language setting

Additionally various other key combinations as will be discussed in § 7 "Manual mode of the installation" on page 12.

6.2 Menus

If one of the menus is activated (language or programming) the indications in the grey bar above the blue keys are valid:

- ▶ = moving the cursor to the next setting
- ▼ = next setting
- ▲ = last setting
- # = raising or changing the number resp. indication where the cursor is placed under.



7 Manual mode of the installation

It is possible to access the installation process manually.
Below, the options are stated.

7.1 Manually start backwash



A “Backwash” can be started manually from the “stand by” phase by pushing the key.

7.2 Manually start backwash 2



A “Backwash 2” can be started manually from the “stand by” phase by pushing the key and the key. This option is only available in “Top/Bottom” filtration mode.

7.3 Manually start “Enhanced backwash 1” without reset



An “Enhanced Backwash 1” can be started manually from the “stand by” phase by pushing the key. This process will start a normal sequence for “Enhanced Backwash 1”.
That means : Air scour – Drain – Backwash 1– Backwash 2 – Soak – Forward Flush. When a phase is not activated (time = 0) this step will be skipped.
The interval counter for enhanced backwashes will not be reset by this action.

7.4 Manually start “Enhanced backwash 1” with reset



See also § 7.3 “Manually start “Enhanced backwash 1” without reset” on page 12. In this case the interval counters for enhanced backwash 1 will be reset after this action. In case the operation mode is programmed for “serial” operation this manual option will not be available.

An “Enhanced Backwash 1” can be started manually from the “stand by” phase by pushing the key and the key at the same time.

7.5 Manually start “Enhanced backwash 2” without reset





An “Enhanced Backwash 2” can be started manually from the “stand by” phase by pushing the key. This process will start a normal sequence for “Enhanced Backwash 2”.
That means : Air scour – Flush 1 – Backwash – Enhanced Backwash 2 – Flush 2. When a phase is not activated (time = 0) this step will be skipped.
The interval counter for enhanced backwashes will not be reset by this action.

7.6 Manually start “Enhanced backwash 2” with reset





See also § 7.5 “Manually start “Enhanced backwash 2” without reset” on page 12. In this case the interval counters

for enhanced backwash 2 will be reset after this action. In case the operation mode is programmed for “linked” operation this manual option will not be available.

An “Enhanced Backwash 2” can be started manually from the “stand by” phase by pushing the  key and the  key at the same time.

7.7 Manually start “Enhanced backwash 3” without reset



An “Enhanced Backwash 2” can be started manually from the “stand by” phase by pushing the  key and the  key. This process will start a normal sequence for “Enhanced Backwash 3”.




That means : Air scour – Flush 1 – Backwash – Enhanced Backwash 2 – Flush 2. When a phase is not activated (time = 0) this step will be skipped.

The interval counter for enhanced backwashes will not be reset by this action.

7.8 Manually start “Enhanced backwash 3” with reset



See also § 7.7 “Manually start “Enhanced backwash 3” without reset” on page 13”. In this case the interval counters for enhanced backwash 3 will be reset after this action. In case the operation mode is programmed for “linked” operation this manual option will not be available.

An “Enhanced Backwash 3” can be started manually from the “stand by” phase by pushing the  key, the  key and the  key at the same time.

7.9 Reset alarm



If an alarm indication and / or alarm output is activated then this can be reset by pressing the  key.

If an alarm output is activated the output will first be deactivated.

The alarm message disappears when the cause of the alarm has been cancelled and the key has been pressed again.

In some cases the output is automatically deactivated and the message on the LCD display disappears automatically as well. (See § 11 “Possible error messages” on page 31).

7.10 Filtration Stop / Leave Manual stop mode



The Filtration phase can be stopped manually, independent from the level switches.

During Standby there will be a message shown that the plant is switch into manual mode.

The plant will not be switching depending on the level switches.


Standby
Manual stop

Automatic operation can be entered again by pressing the same keys.

The manual mode will remain after power failure.

8 Information request

Via the information menu several data can be retrieved, such as the software version, the service telephone number, the status of the inputs and outputs and the enhanced backwash interval.

Via the  key the whole information menu can be walked through.

8.1 Status inputs

Input 1
HL- LL- RW- OP-

The actual switch positions of the inputs are displayed. A “|” next to the code means: input function active, a “-“ means: input function not active.

HL = High level clean water tank

LL = Low level clean water tank

DP = Differential pressure

RW = Low level raw water tank

OP = Over pressure

FS = Filtration Start

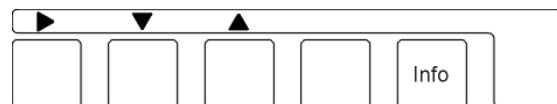
8.2 Status outputs

Out ABCDEFGHIJK

The actual switch positions of the outputs are displayed. Every relay is assigned a number. (see page 12 “Wiring diagram UF2050” on page 32), a horizontal line “-“ underneath a number means: function not activated. A vertical line “|” means: function activated.

8.3 Service number

Service
0031 73 443755



A service telephone number is shown. The number can be adjusted here as well.

Change telephone number:

Select number: ▶

Mark down: ▼

Mark up: ▲

8.4 Software version

Softwareversion
UF2050 1.03.00

The software is kept up-to-date in the factory on a regular base. If necessary changes take place in order to adjust the product to new insights and requirements. On the display the version of the installed software is displayed.

8.5 Enhanced back wash interval

Enh.BW Interval1
30h 2*

Enh.Backwash
No

If the enhanced backwash is activated, the remaining interval time and / or remaining number of standard backwashes until the next enhanced backwash cycle, will be displayed. When there is no enhanced backwash activated, "No" will be displayed.

8.6 Enhanced back wash interval 2

Enh.BW Interval2
30h 2*

If two enhanced backwash steps are activated in "separate" mode, the remaining interval time and / or remaining number of standard backwashes for the 2nd enhanced backwash step will be displayed.

8.7 Enhanced back wash interval 3

Enh.BW Interval3
30h 2*

If three enhanced backwash steps are activated in "separate" mode, the remaining interval time and / or remaining number of standard backwashes for the 3rd enhanced backwash step will be displayed.

9 Change set language

Press the "enter" key and keep it pressed for approx. 5 seconds. The following text shows on the display:

Attention!
Programmechange

and after 5 seconds the text:

Start
Programmechange

Press, after these 5 seconds, the "#" key as well and the set language is activated. Both keys can be released.

The display shows:

English
D N1 E F

You can change the language by pressing the ► key.

The language setting can be left by pressing the "enter" key again. When no key is pressed for approx. 2 minutes, you automatically leave the setting.

You can choose from the following languages: German, Dutch, English and French.

10 Programming

In the following chapters is described how to program the control.

Attention:
Some windows cannot be accessed because of setting(s) made before.

10.1 Entering program mode

Press the “enter” key and keep it pressed for approx. 5 seconds. The following text shows on the display:

Attention!
Programmechange

and after 5 seconds the text:

Start
Programmechange

Press, after these 5 seconds, the “▼” (BWE1) key as well and the programming mode is activated. Both keys can be released.

10.2 Output functions

Step no: 1.1
AL OUT

Select the function for Output K.

- AL = Alarm
- OUT = General output

If the function for this output is programmed for alarm (AL) then this output will not be displayed in all steps where you can define the outputs for process step.

10.2.1 Alarm output

In the following program steps can be indicated in which situation(s) the alarm output should be activated. A horizontal line (“-“) means that the relevant situation does not lead to activation if the alarm output function is not activated.

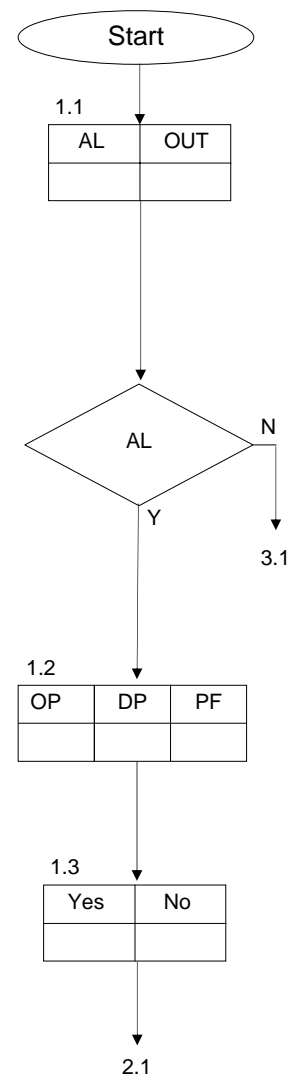
Step no: 1.2
OP-DP-PF-

Select in which situation the alarm output should be activated.

- OP = Overpressure
- DP = Differential pressure (Only when step 2.1 programmed at DP)
- PF = Power failure

Step no: 1.3
Rel.energ. Y/N

Here, you can program whether the alarm relay should be energized (Yes) or not (No) in case of a failure.



10.3 Input functions

In the following steps input functions can be defined.

Step no:	2.1
IN2 :	<u>LL</u> FS --

Select the input function for input 2 (RC).

- LL = Low level clean water tank
- FS = Filtration start
- = No function

Step no:	2.2
IN3 :	<u>RW</u> DP FS

Select the input function for input 3 (WA).

- RW = Level switch raw water tank
- DP = Differential pressure switch
- FS = Filtration start

Step no:	2.3
Delay LL	<u>1</u>s

In this program step you can program the delay for the low level switch of the clean water tank, between 1 and 999 seconds.

	ABCDEFGHIJK
BWP	----- --

In this step you can program which outputs (e.g. Back wash pump) should be deactivated when the clean water tank is empty.

Step no:	2.5
Delay HL	<u>1</u>s

In this program step you can program the delay for the high level switch of the clean water tank, between 1 and 999 seconds.

Step no:	2.6
Delay RW	<u>1</u>s

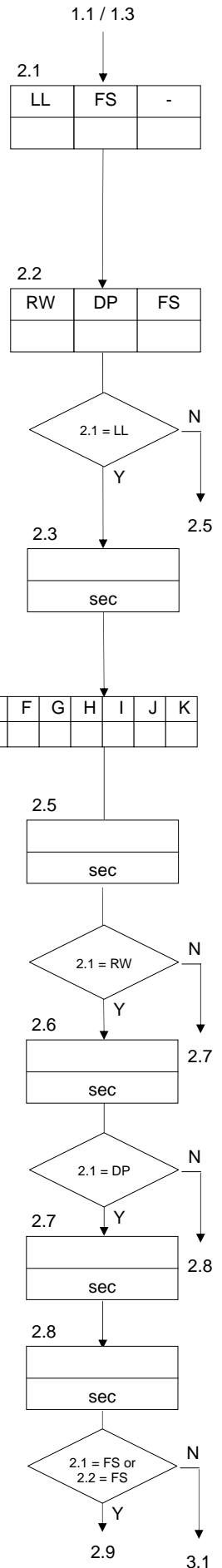
In this program step you can program the delay for the low level switch of the raw water tank, between 1 and 999 seconds.

Step no:	2.7
Delay DP	<u>1</u>s

In this program step you can program the delay for the differential pressure switch between 1 and 999 seconds.

Step no:	2.8
Delay OP	<u>1</u>s

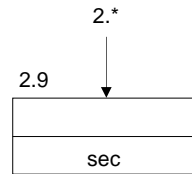
In this program step you can program the delay for the overpressure switch between 1 and 999 seconds.





Step no: 2.9
Delay FS 1s

In this program step you can program the delay for the filtration start switch between 1 and 999 seconds.

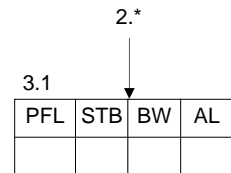


10.4 Power up settings

Step no: 3.1
PFL STB BW AL

In this program step you program how the installation has to start after powering up.

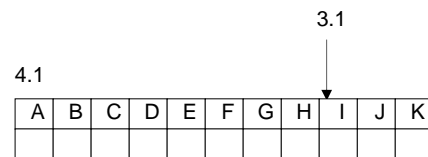
- PFL = Starting in step "Pre flush"
 If this step is not activated in step 2.1, the installation will start up with the step "Filtration".
- STB = Starting in step "Standby"
- BW = Starting in step "Air Scour" (so total flush will be made)
 If step "Air Scour" is not activated, the installation will start up with the step "Drain". If this step is also not activated in step 2.1, the installation will start with the step "Backwash 1"
- AL = Starting in step "Alarm" with message "Supply failure".



10.5 Proces steps

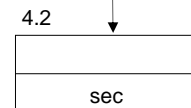
ABCDEFGHIJK
STB - - - - -

In this program step you can program which outputs are activated during the step "Standby".



Step no: 4.2
Pre Flush 30s

In this program step you can program the "Pre Flush" time between 0 and 999 seconds.



ABCDEFGHIJK
PFL - | - | - | - - - -

In this program step you can program which outputs are activated during the step "Pre Flush".



10.6 Proces steps

Step no: 5.1
Filtrat. T/B Y/N

In this program step you can program if the installation has to operate in "Top/Bottom" mode. If so, you have to program which outputs are activated during phase "Filtration 2".

For more information see § 1.5 „Phase "Filtration"“ on page 3.

Step no: 5.2
Filtration 30m

In this program step you can program the filtration time between 1 and 999 minutes.

ABCDEFGHIJK
FIL - - - - - | - - - - -

In this program step you can program which outputs are activated during the step "Filtration".

ABCDEFGHIJK
FI2 - | - | - | - - - - -

In this program step you can program which outputs are activated during the step "Filtration 2".

Step no: 5.5
Fil.time res. Y/N

Here, you can program whether the remaining filtration time will be reset when the plant is switching to standby mode. When set at "No", the remaining filtration time will also saved and kept in memory at power loss of the controller.

Step no: 5.6
HL FS

Here, you can program on what event the filtration should be started.

- HL = Input for High level switch of clean water tank.
- FS = Input filtration tank.

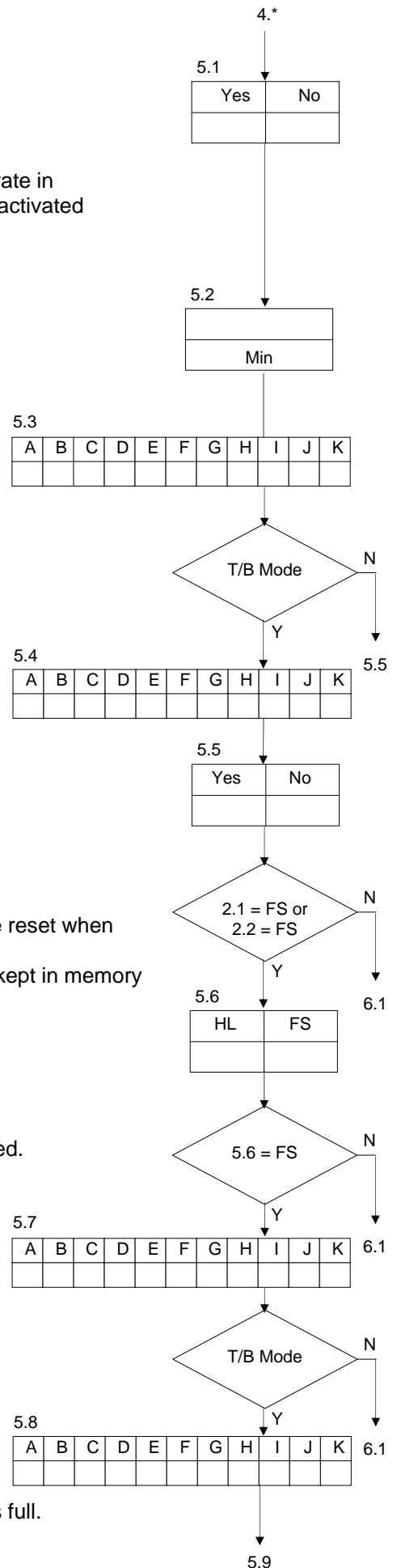
ABCDEFGHIJK
F1H - - - - - | - - - - -

In this program step you can program which outputs are activated during the step "Filtration" when the clean water tank is full.

ABCDEFGHIJK
F2H - - - - - - - - - - -

activated during the step "Filtration 2" when the clean water tank is full.

In this program step you can program which outputs are





Step no: 5.9
Delay 0s

In this program step you can program the delay for switching between filling backwash tank and changing to permeate production for consumer between. 0 and 999 seconds.

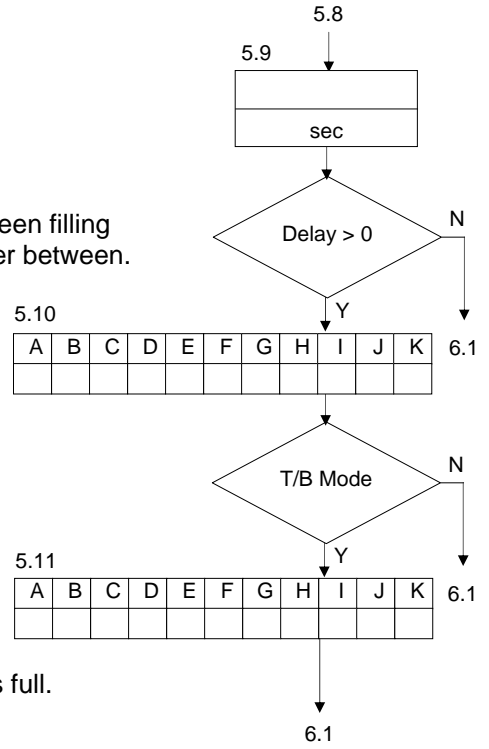
ABCDEFGHIJK
F1H2 - - - - - | - - - -

In this program step you can program which outputs are activated during the step "Filtration" when the clean water tank is full.

ABCDEFGHIJK
F2H2 - - - - - - - - - -

activated during the step "Filtration 2" when the clean water tank is full.

In this program step you can program which outputs are



10.7 Standard Backwash step

Step no:	6.1
Air scour	20s

In this program step you can program the "Air scour" time between 0 and 999 seconds..

	A	B	C	D	E	F	G	H	I	J	K
AIR	--			-		-----					

In this program step you can program which outputs are activated during the step "Air scour".

Step no:	6.3
Drain	20s

In this program step you can program the "Drain" time between 0 and 999 seconds..

	A	B	C	D	E	F	G	H	I	J	K
DRA	-----										

In this program step you can program which outputs are activated during the step "Drain".

Step no:	6.5
Back wash1	30s

In this program step you can program the time for step "Back wash 1" between 1 and 999 seconds.

	A	B	C	D	E	F	G	H	I	J	K
BW1		----		-		----					

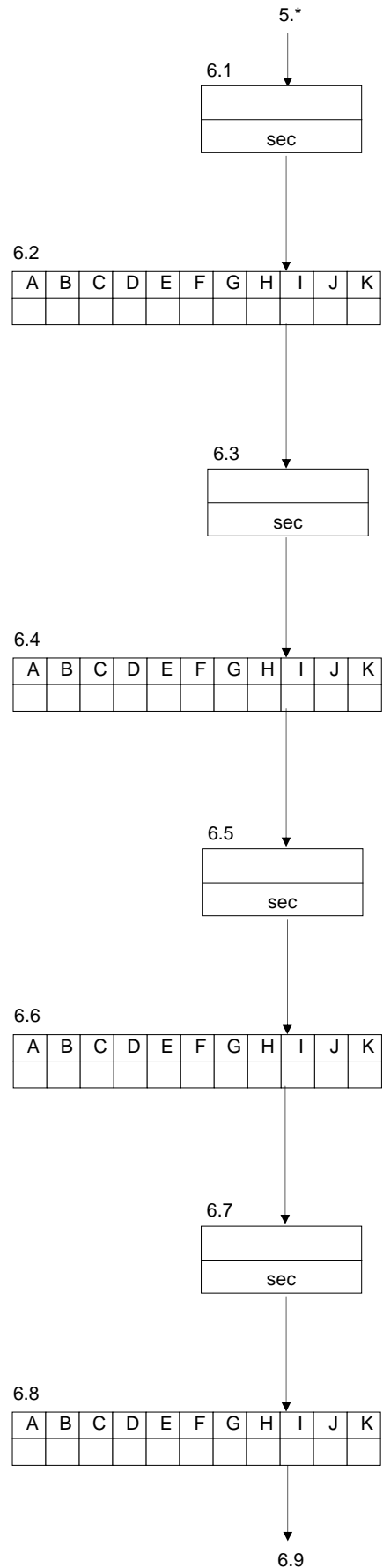
In this program step you can program which outputs are activated during the step "Back wash 1".

Step no:	6.7
Back wash2	30s

In this program step you can program the time for step "Back wash 2" between 0 and 999 seconds.

	A	B	C	D	E	F	G	H	I	J	K
BW2		----		-		----					

In this program step you can program which outputs are activated during the step "Back wash 2".





Step no: 6.9
Drain 2 0s

In this program step you can program the "Drain 2" time between 0 and 999 seconds..

ABCDEFGHIJK
FFL -----

In this program step you can program which outputs are activated during the step "Forward Flush".

10.8 Standard Backwash step 2

Step no: 7.1
Air scour 20s

In this program step you can program the "Air scour" time between 0 and 999 seconds..

ABCDEFGHIJK
AIR -- || - |-----

In this program step you can program which outputs are activated during the step "Air scour".

Step no: 7.3
Drain 20s

In this program step you can program the "Drain" time between 0 and 999 seconds..

ABCDEFGHIJK
DRA -----

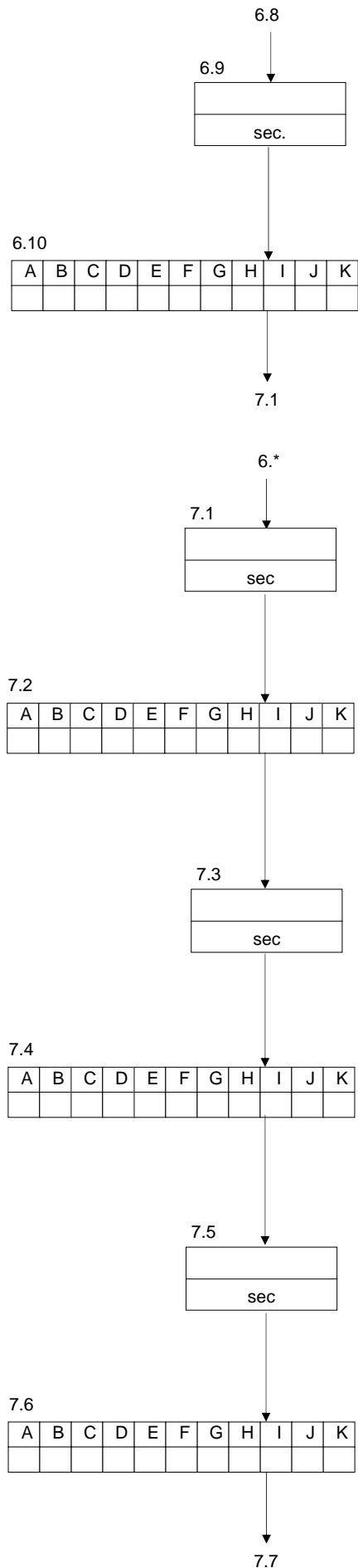
In this program step you can program which outputs are activated during the step "Drain".

Step no: 7.5
Back wash1 30s

In this program step you can program the time for step "Back wash 1" between 1 and 999 seconds.

ABCDEFGHIJK
BW1 |----- | - |-----

In this program step you can program which outputs are activated during the step "Back wash 1".



10.9 Enhanced Backwash

Step no:	8.1
Number CEBs	<u>1</u>

In this program step you can program the number of enhanced backwash steps. You can program 0 (=no enhanced backwash), 1,2 or 3.

Step no:	8.2
<u>Ser</u> Lnk Sep Sep2	

If the number of enhanced backwash steps is programmed at 2 or 3 you can program the mode of operation for the enhanced backwash cycles. See also § 1.3 "Overview of phases" on page 2.

Step no:	8.3
CEB1 <u>TM</u> NM T+N	

If the number of enhanced backwash steps is not programmed at 0, you can program the start condition(s) for the enhanced backwash step (1).

- TM = time interval
- NM = interval on number of standard backwash cycles
- T+N = interval on time and number of standard backwash cycles

Step no:	8.4
Int.Time1	10h

In this program step you can program the interval time for starting an enhanced backwash step. You can program an interval time of 0 – 999 hours. When you program 0h there will be start of an enhanced backwash step depending on an interval time.

Step no:	8.5
Int.Number1	30*

If the step "Enhanced Backwash" is activated then you can program the number of "standard" backwashes (1-100) after which the enhanced backwash will start. When you program 0h there will be no start of an enhanced backwash step depending on the number of standard backwashes.

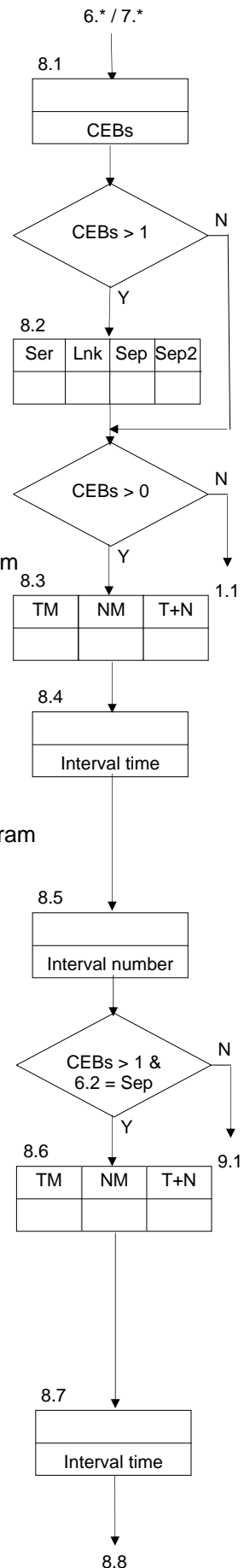
Step no:	8.6
CEB2 <u>TM</u> NM T+N	

If the number of enhanced backwash steps is programmed at 2 and the operation mode is "Separate," you can program the start condition(s) for the enhanced backwash step 2.

- TM = time interval
- NM = interval on number of standard backwash cycles
- T+N = interval on time and number of standard backwash cycles

Step no:	8.7
Int.Time2	72h

In this program step you can program the interval time for starting enhanced backwash step 2 (operation mode should be "Sep"). You can program an interval time of 0 – 999 hours. When you program 0h there will be start of an enhanced backwash step depending on an interval time.





Step no: 8.8
Int.Number2 30*

In this program step you can program the number of “standard” backwashes (1-100) after which “enhanced backwash step 2” will be activated (operation mode should be “Sep” or “Sep2”).
 When you program 0h there will be no start of an enhanced backwash step depending on the number of standard backwashes.

Step no: 8.9
CEB3 TM NM T+N

If the number of enhanced backwash steps is programmed at 3 and the operation mode is “Separate,” you can program the start condition(s) for the enhanced backwash step 3.

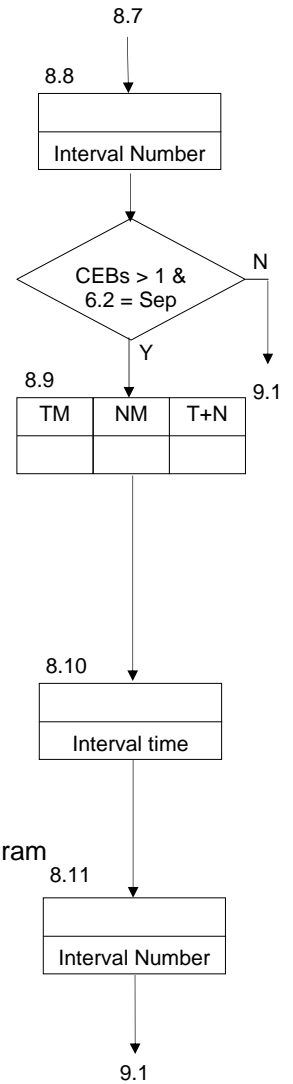
- TM = time interval
- NM = interval on number of standard backwash cycles
- T+N = interval on time and number of standard backwash cycles

Step no: 8.10
Int.Time3 72h

In this program step you can program the interval time for starting enhanced backwash step 2 (operation mode should be “Sep”).
 backwash step. You can program an interval time of 0 – 999 hours. When you program 0h there will be start of an enhanced backwash step depending on an interval time.

Step no: 8.11
Int.Number3 30*

In this program step you can program the number of “standard” backwashes (1-100) after which “enhanced backwash step 3” will be activated (operation mode should be “Sep” or “Sep2”).
 When you program 0h there will be no start of an enhanced backwash step depending on the number of standard backwashes.



10.10 Enhanced Backwash 1 steps

Step no:	9.1
Air scour	20s

In this program step you can program the "Air scour" time between 0 and 999 seconds..

	A	B	C	D	E	F	G	H	I	J	K
AIR	--			-		-----					

In this program step you can program which outputs are activated during the step "Air scour".

Step no:	9.3
Drain	20s

In this program step you can program the "Drain" time between 0 and 999 seconds..

	A	B	C	D	E	F	G	H	I	J	K
Dra	-----										

In this program step you can program which outputs are activated during the step "Drain".

Step no:	9.5
Back wash1	30s

In this program step you can program the time for step "Back wash 1" between 1 and 999 seconds.

	A	B	C	D	E	F	G	H	I	J	K
BW1		----		-		----					

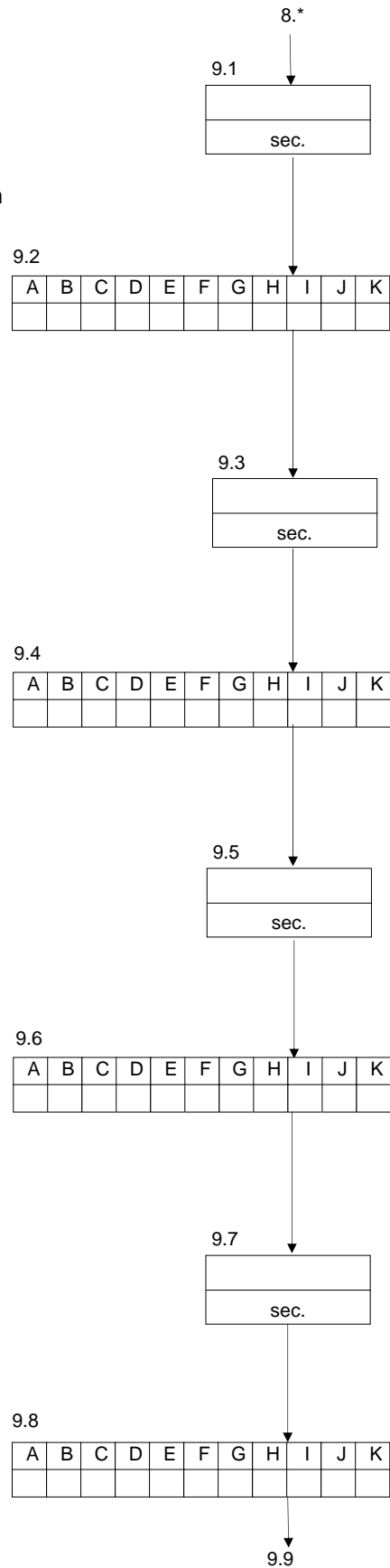
In this program step you can program which outputs are activated during the step "Back wash 1".

Step no:	9.7
Back wash2	30s

In this program step you can program the time for step "Back wash 2" between 0 and 999 seconds.

	A	B	C	D	E	F	G	H	I	J	K
BW2		----		-		----					

In this program step you can program which outputs are activated during the step "Back wash 2".





Step no: 9.9
Soak 10m

In this program step you can program the time for step "Soak" between 0 and 999 minutes.

ABCDEFGHIJK
Soak |----| - |---

In this program step you can program which outputs are activated during the step "Soak".

Step no: 9.11
Drain 2 0s

In this program step you can program the "Drain 2" time between 0 and 999 seconds..

ABCDEFGHIJK
FFL -----

In this program step you can program which outputs are activated during the step "Forward Flush".

10.11 Enhanced Backwash 2 steps

Step no: 10.1
Air scour 20s

In this program step you can program the "Air scour" time between 0 and 999 seconds..

ABCDEFGHIJK
AIR -- | | - |-----

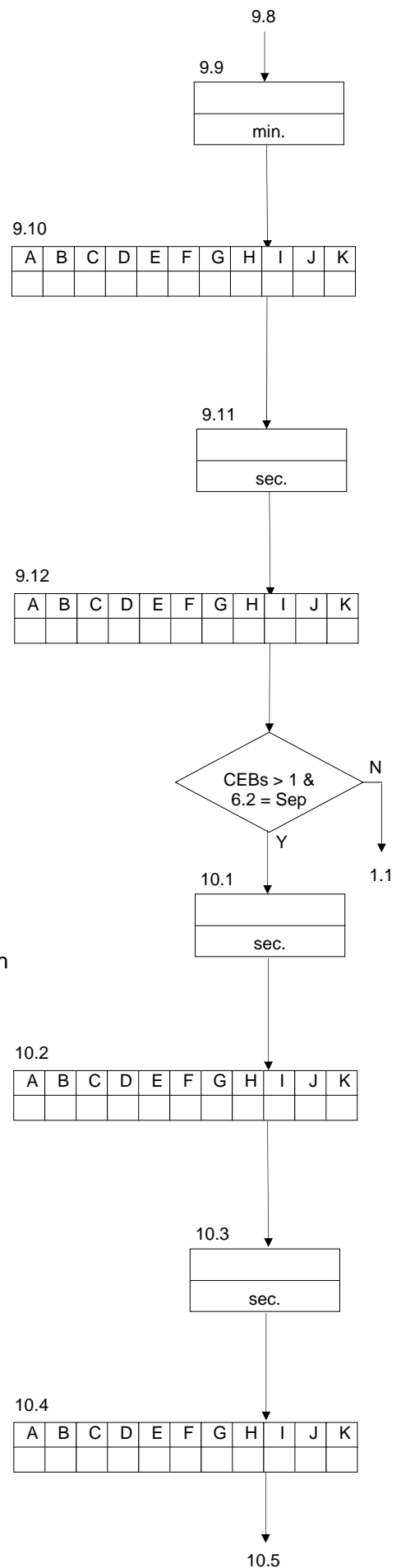
In this program step you can program which outputs are activated during the step "Air scour".

Step no: 10.3
Drain 20s

In this program step you can program the "Drain" time between 0 and 999 seconds..

ABCDEFGHIJK
Dra -----

In this program step you can program which outputs are activated during the step "Drain".





Step no: 10.5
Back wash1 30s

In this program step you can program the time for step "Back wash 1" between 1 and 999 seconds.

ABCDEFGHIJK
BW1 |----| - |---

In this program step you can program which outputs are activated during the step "Back wash 1".

Step no: 10.7
Back wash2 30s

In this program step you can program the time for step "Back wash 2" between 0 and 999 seconds.

ABCDEFGHIJK
BW2 |----| - |---

In this program step you can program which outputs are activated during the step "Back wash 2".

Step no: 10.9
Soak 10m

In this program step you can program the time for step "Soak" between 0 and 999 minutes.

ABCDEFGHIJK
Soak |----| - |---

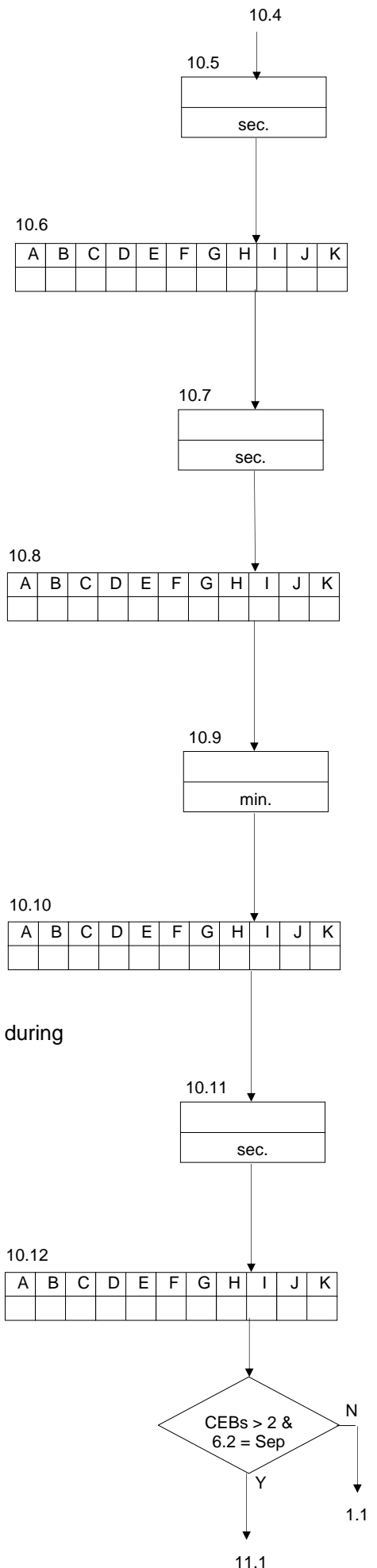
In this program step you can program which outputs are activated during the step "Soak".

Step no: 10.11
Drain 2 0s

In this program step you can program the "Drain 2" time between 0 and 999 seconds..

ABCDEFGHIJK
FFL -----

In this program step you can program which outputs are activated during the step "Forward Flush".



10.12 Enhanced Backwash 3 steps

Step no: 11.1
Air scour 20s

In this program step you can program the "Air scour" time between 0 and 999 seconds..

ABCDEFGHIJK
AIR -- | | - | -----

In this program step you can program which outputs are activated during the step "Air scour".

Step no: 11.3
Drain 20s

In this program step you can program the "Drain" time between 0 and 999 seconds..

ABCDEFGHIJK
Dra -----

In this program step you can program which outputs are activated during the step "Drain".

Step no: 11.5
Back wash1 30s

In this program step you can program the time for step "Back wash 1" between 1 and 999 seconds.

ABCDEFGHIJK
BW1 | ---- | - | ----

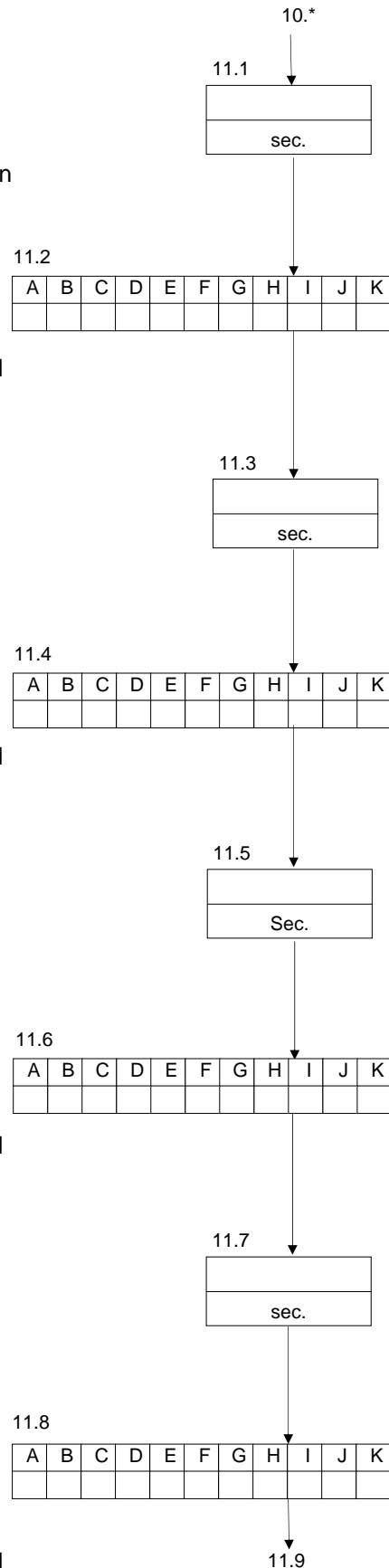
In this program step you can program which outputs are activated during the step "Back wash 1".

Step no: 11.7
Back wash2 30s

In this program step you can program the time for step "Back wash 2" between 0 and 999 seconds.

ABCDEFGHIJK
BW2 | ---- | - | ----

In this program step you can program which outputs are activated during the step "Back wash 2".





Step no: 11.9
Soak 10m

In this program step you can program the time for step "Soak" between 0 and 999 minutes.

ABCDEFGHIJK
Soak |----| - |---

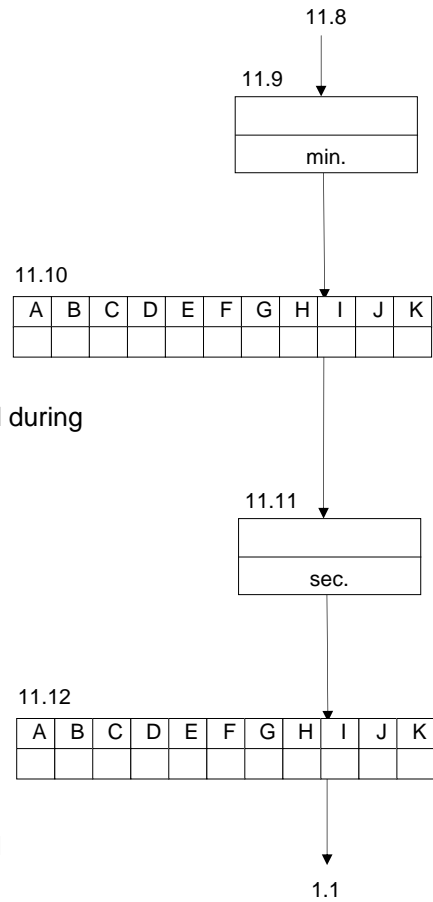
In this program step you can program which outputs are activated during the step "Soak".

Step no: 11.11
Drain 2 0s

In this program step you can program the "Drain 2" time between 0 and 999 seconds..

ABCDEFGHIJK
FFL -----

In this program step you can program which outputs are activated during the step "Forward Flush".





11 Possible error messages

Depending on the equipment and programming of the control, various signals can be given that can be signalled by the alarm output and be shown in the LCD display

The alarm output is programmable. This means it can be indicated which messages are passed on by the alarm output (see § 10.2 “Output functions” on page 16).

The alarm function can be activated in step 1.1 (see § 10.2 “Output functions” on page 16).



In case of an error message this will appear in the LCD display and, if the alarm function is activated for the relevant situation, the alarm output will be activated.

Overview of possible alarm indications

11.1 Power failure

<p style="text-align: center;">Signal Power failure</p>

The message “power failure” appears when the control is switched on again and the alarm output is programmed for the “power loss” situation.

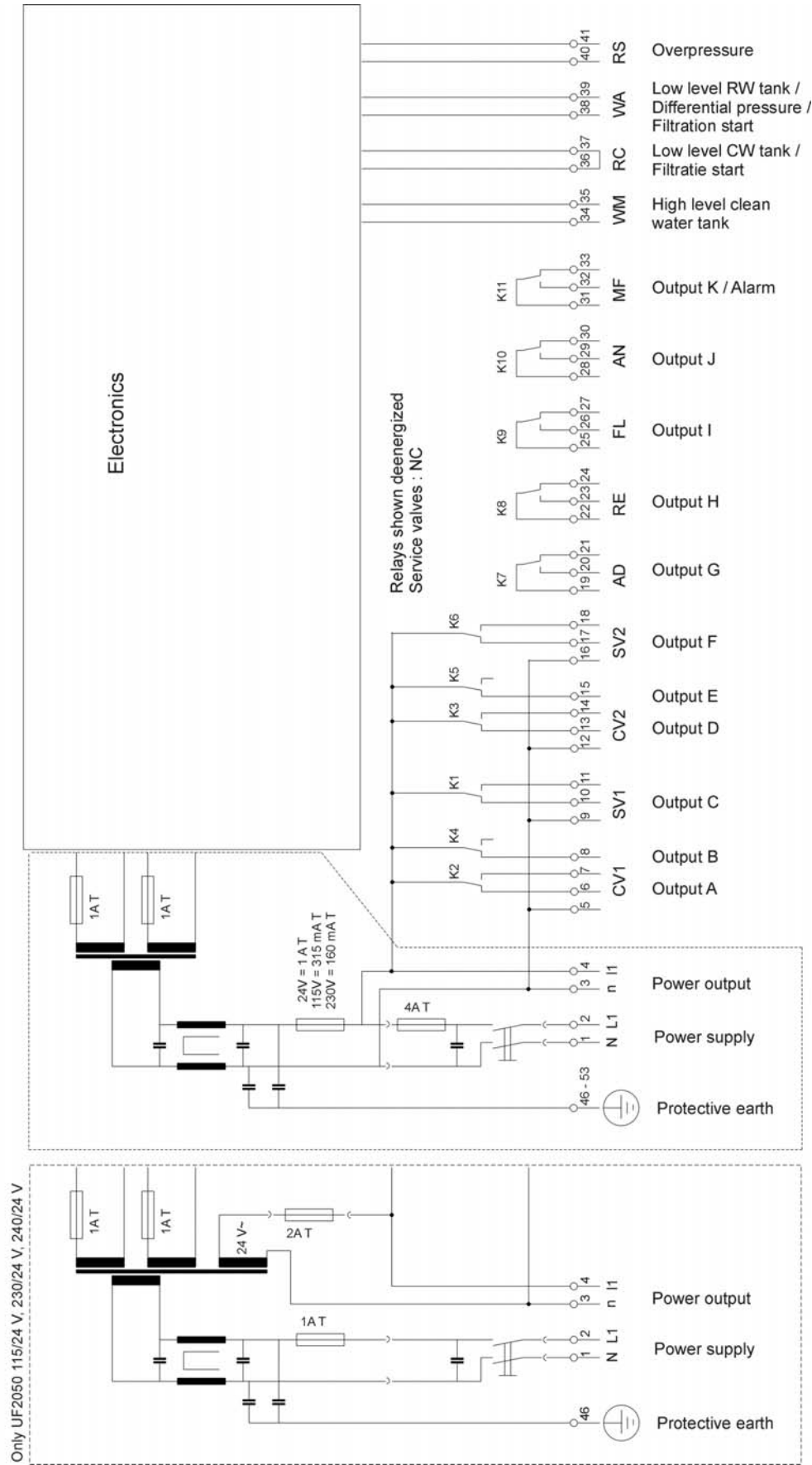
If the alarm output is activated this output can be switched off manually (). The message on the LCD display disappears when the  key is pressed again.

12 Wiring diagram UF2050

Connection terminals UF2050 / UF2051

UF2050 - 24 V : Only protective earth terminal 46
no control lamp in the main switch

UF2051 - 115 and 230 V : Only protective earth terminal 46
Only protective earth terminal 46
UF2051 - 24 : All executions without main switches





13 Installation and commissioning requirements

13.1 General

- Install control at eye level and easy accessible to the user.
- Do not mount underneath damp piping.
- Realise electric connections. Comply with the regulations of the local electricity company as well as the with any fabric standards.
- Provide an impeccable earth connection.
- Keep all low voltage wiring (inputs and measurements) apart from feeder cables.
- Switch device on and carry out the basic programming by means of this instruction manual and technical information of the supplier.
- Set actual time.
- Install and implement according to the regulations of the manufacturer.

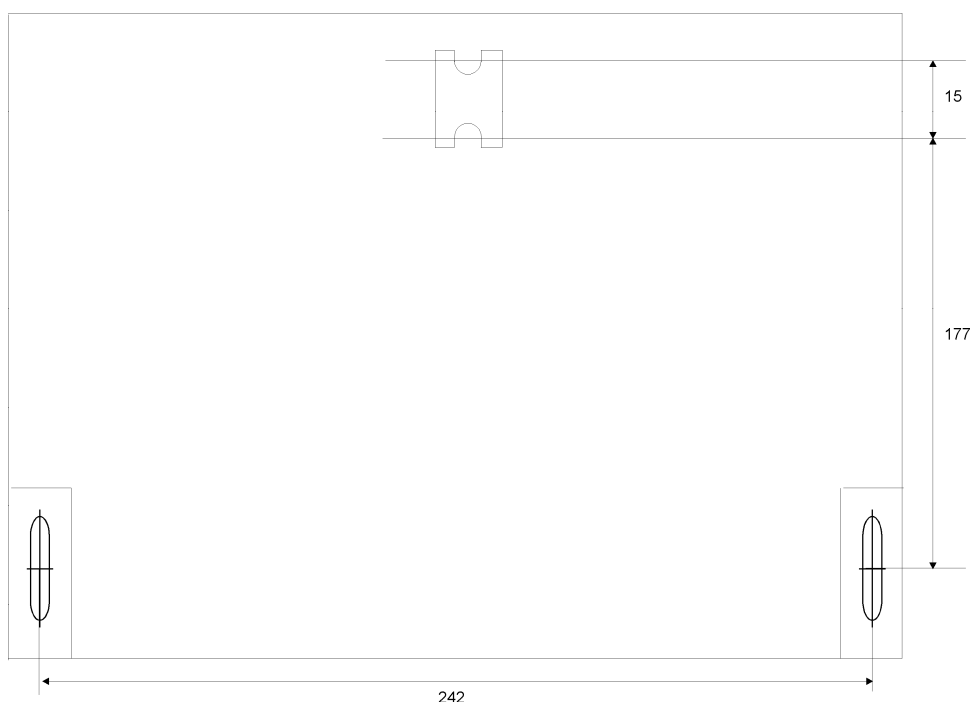
ATTENTION:

Some external relays, contactors, magnet valves, etc. can cause unwanted noise during switching on and / or off.

For this reason we advise you to equip the components mentioned in advance of a so called RC-network.

Inquire at the supplier of the components mentioned about the right type of RC-network.

13.2 Assembly





14 Technical details



Electrical supply:	24V	± 10%	50-60 Hz Main fuse 1AT
	115V	± 10%	50-60 Hz Main fuse 315mAT
	230V	± 10%	50-60 Hz Main fuse 160mAT
	115/24V	± 10%	50-60 Hz Main fuse 1AT
	230/24V	± 10%	50-60 Hz Main fuse 1AT
	240/24V	± 10%	50-60 Hz Main fuse 1AT
	Fuse for the purpose of outputs :		
	24V, 115V, 230V	:	4 AT
	115/24V, 230/24V	:	2 AT
Power input:	11 VA		
Powered outputs:	24V, 115V, 230V	:	Total resistive continuous current 4 A
	115/24V, 230/24V	:	Total resistive continuous current 2 A
Potential free outputs:	max. charge 250V, 4A (resistive)		
Inputs (digital):	charged with 12V, 8 mA		
Class of protection:	IP65		
Ambient temperature:	0 – 50 °C		
Weight:	ca. 2,8 kg		
Dimensions:	W x H x D = 263 x 216 x 142		
Remarks:	Data is saved at loss of voltage.		



15 Declaration of conformity

Declaration of conformity of the product with the essential requirement of the EMC directive 89 / 336 / EEC.

Product description

Product name : Controller for reverse osmosis system
Product type : UF2050
Manufacturer : EWS Equipment for Water treatment Systems International B.V.
Paardskerkhofweg 14
NL-5223 AJ 's-Hertogenbosch
The Netherlands

Product environment

This product is intended for use in residential en light industrial environments.

Emission standard : EN 61000-6-1
Immunity standard : EN 61000-6-3
Electrical Safety : EN 60204
Low voltage directive : 2006/95/EG

Report

Report number : EWS / EMC / 0004

This declaration was issued by :

Date : 20-08 - 2012

Name : D.H. Naeber

Signature :



FIVE-YEAR CONTROLLER LIMITED WARRANTY

LIMITED WARRANTY

EWS International (hereafter EWS) warrants her products free from defects in material and workmanship under the following terms.

In this warranty, "Products" shall be taken to mean all devices that are supplied pursuant to the contract with exception of software.

VALIDITY OF THE WARRANTY

Labour and parts are warranted for five years from the date of the first customer purchase. This warranty is only valid for the first purchase customer.

Notwithstanding the warranty period of five years as mentioned above - while upholding the remaining provisions – a warranty period of three months applies to the supply of software.

COVER OF THE WARRANTY

Subject to the exceptions as laid down below, this warranty covers all defects in material or workmanship in the EWS products. The following are not covered by the warranty:

- 1) Any product or part not manufactured nor distributed by EWS. EWS will pass on warranty given by the actual manufacturer of products or parts that EWS uses in the product.
- 2) Any product, on which the serial number has been defaced, modified or removed.
- 3) Damage, deterioration or malfunction resulting from:
 - a) Accident, misuse, neglect, fire, water, lightning or other acts of nature.
 - b) Product modification or failure to follow instructions supplied by the products.
 - c) Repair or attempted repair by anyone not authorized by EWS.
 - d) Any shipment of the product (claims must be presented to the carrier)
 - e) Removal or installation of the product
 - f) Any other cause, which does not relate to a product defect.
 - g) Cartons, equipment enclosures, cables or accessories uses in conjunction with the product.

FINANCIAL CONSEQUENCES

EWS will only pay for labour and material expenses for covered items, proceed from repairs and updates done by EWS at the EWS location. EWS will not pay for the following:

- 1) Removal or installations charges at customers and/or end user location.
- 2) Costs for initial technical adjustments (set-up), including adjustment of user controls or programming.
- 3) Shipping charges proceed from returning goods by the customer. (Shipping charges for returning goods to the customer are for the account of EWS).

All the costs which exceed the obligations of EWS under this Warranty, such as, but not limited to, travel and accommodation costs and costs for assembly and dismantling are for the account and risk of the customer.

WARRANTY SERVICE

In order to retain the right to have a defect remedied under this warranty, the customer is obliged to:

- 1) Submit complaints about immediately obvious errors related to the products delivered, in writing within eight days of the delivery of the products and submit complaints about shortcomings relating to the products delivered, which are not visible, within eight days of their being discovered.
- 2) Return defected products for account and risk of the customer. Costs for this shipment will not be reimbursed by EWS. The products may only be returned following express, written permission from EWS. Returning the products does not affect the obligation to pay the invoiced amounts.



- 3) Present the original dated invoice (or a copy) as proof of warranty coverage, which must be included in any [of the] return shipment of the product. Please include also in any mailing a contact name, company, address and a description of the problem(s).

LIMITATION OF IMPLIED WARRANTIES

Except where such disclaimers and exclusions are specifically prohibited by applicable law, the foregoing sets forth the only warranty applicable to the product, and such warranty is given expressly and in lieu of all other warranties, express or implied, or merchantability and fitness for a particular purpose and all such implied warranties which exceed or differ from the warranty set forth herein are hereby disclaimed by EWS.

EXCLUSION OF DAMAGES

EWS' liability for any defective products is limited to the repair or replacement of the product at our option. Except where such limitations and exclusions are specifically prohibited by applicable law EWS shall not be liable for:

- 1) Damage to other property caused by defects in the EWS product, damages based upon inconvenience, loss of use of the product, loss of time, commercial loss or:
- 2) Any damages, whether incidental, [consequential or otherwise] special, indirect or consequential damages, injury to persons or property, or any other loss.

Under no circumstances whatsoever shall EWS be obliged to provide compensation beyond the direct damage incurred by customer up to an amount not exceeding the payment receivable from the insurer of EWS in connection with the damage.

APPLICABLE LAW AND DISPUTES

- 1) Dutch law shall govern all offers made by EWS and all agreements concluded between EWS and customer. This warranty explicitly excludes application of the Vienna Sales Convention (CISG).
- 2) All disputes which may arise between the parties shall be dealt with exclusively by the competent court of law in the Netherlands under whose jurisdiction EWS falls. However, EWS reserves the right to submit any disputes to the competent court in the customer's location.